

B.R. PRECISION 'V' BLOCK PARALLEL SWIVELLING SELF CENTERING VICE



Model Type: BRVS - PSCV - 120 ('V' Block Type)



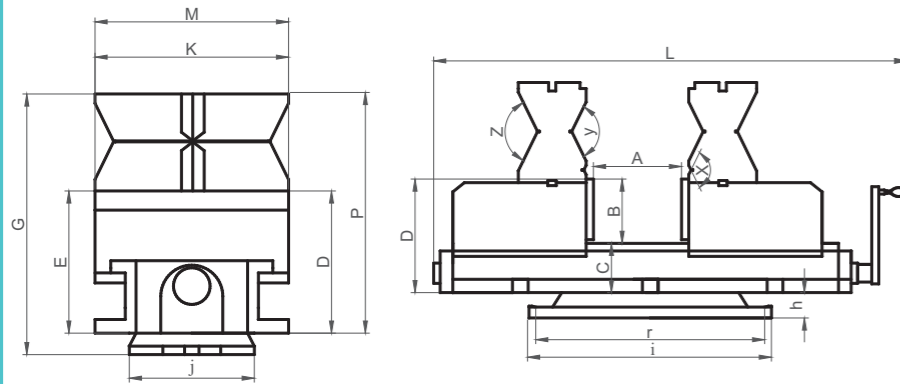
Trouble free Performance

Mechanically Operated

Model Types. & Dimensions

Specification	Model Type BR PVB-S-SCV-120
Width of Jaws (M)	120 mm
Jaw Opening Range (A)	115 mm
Depth Of Jaws Without 'V' Block (B)	40 mm
Work face Height from Base end (C)	95 mm
'V' Block Shaft Holding Range	Ø 12mm - Ø 140mm
Shaft Holding Range @ 'x'	Ø 12mm - Ø 20 mm
Shaft Holding Range @ 'y'	Ø 40mm - Ø 80 mm
Shaft Holding Range @ 'z'	Ø 50mm - Ø 140 mm
Total Height of Base with 'V' Block (P)	165 mm
Total Height of Base Without 'V' Block (E)	120 mm
Overall height with Swivel Base (G)	185 mm
Total Length of Base with Handle (L)	400 mm
Tenon Slot	14 mm
open Slot P.C.D of Swivelling Base (r)	225 mm
Swivel Base Length X Width (i x j)	250 x 170 mm
Swivel Base Height (h)	20 mm
Weight without Swivel base (App)	23 kgs
Weight with Swivel Base (App)	29 kgs

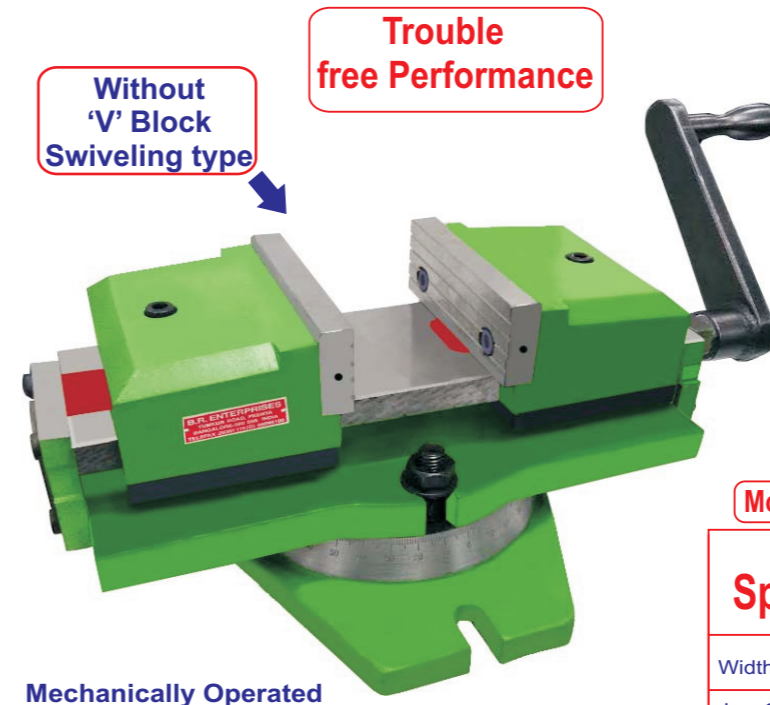
With V Block Swiveling type



B.R. PRECISION PARALLEL SWIVELLING SELF CENTERING VICE



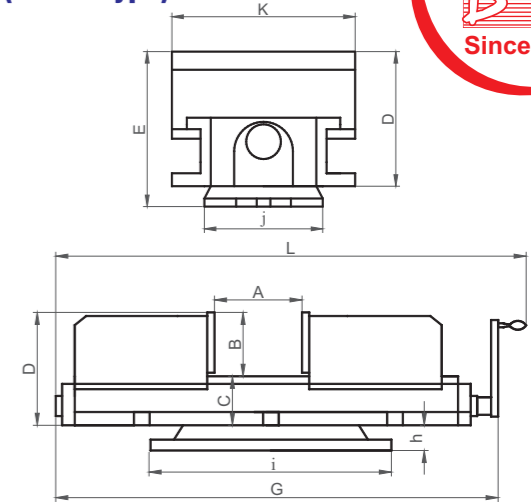
Model Type: BR SP SCV - 120 (Plain Type)



Trouble free Performance

Without 'V' Block Swiveling type

Mechanically Operated



Model Types. & Dimensions

Specification	Model Type BR PS-SCV-120
Width of Jaws (K)	120 mm
Jaw Opening Range (A)	115 mm
Depth Of Jaws (B)	40 mm
Work face Height from Base end (C)	95 mm
Total Height of Base (D)	110 mm
Overall height with Swivel Base (E)	140 mm
Total Length of Base with Handle (L)	402 mm
Tenon Slot	14 mm
open Slot P.C.D of Swivelling Base	220 mm
Swivel Base Length X Width (l x j)	255 mm x 175mm
Swivel Base Height (h)	20 mm
Weight without Swivel base (App)	23 kgs
Weight with Swivel Base (App)	29 kgs

Features :

BR Precision Parallel 'V' Block Swivelling Self centering vice:
This Design is kind of unique design where it is self centered which can grip the work piece under Doble grip with accurate precision where as here the job gets self centered automatically by the simultaneous movement of both jaws by means of single crank handle, with these speical features The 'V' Block is mounted above where has the round shaft can be held at the two sides also for the different kinds of diameter swivelling base is attached to the bottom of the vice where it plays a perfect role to swivel the vice it is graduated around the base at 360° degree. This type of vice is used in the tool room purpose, milling machines, v.m.c machines and etc.,