

B.R. PRECISION LIGHT DUTY MACHINE VICE - 140



Model Type: BR-LDMV-140

Plain type



Trouble free Performance

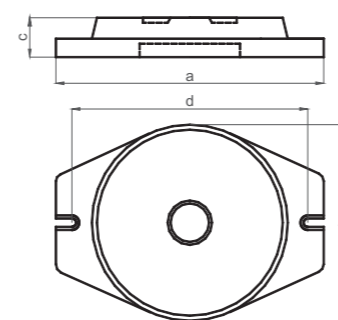
Mechanically Operated

Description and Features

B.R.Precisions Light Duty Machine vice - 140

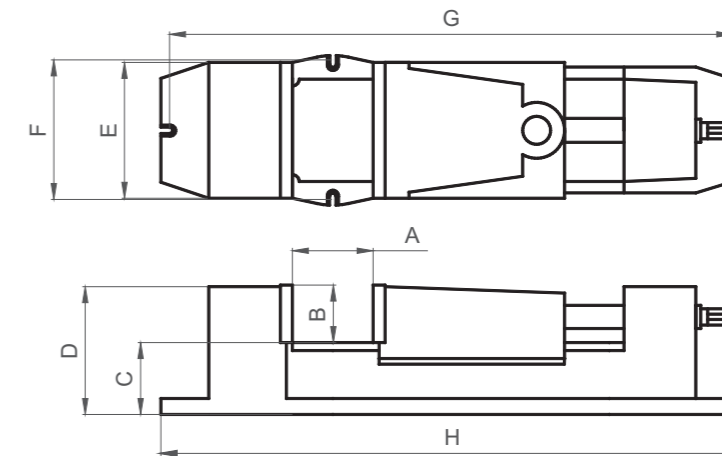
It's a Practical Piece of equipment with excellent precision and a high quality finished. Body Movable jaw Fixed Base body swivel base are made out of high grade Iron castings, Built for high accuracy and light duty machining tenon slot are hardened and ground Jaw plates are hardened tool steel. It is most suitable for Tool room purpose and can be used in conventional machines as well V.M.C., H.M.C., Grinding machines and etc.,

B.R. LIGHT DUTY MACHINE VICE



Trouble free Performance

Mechanically Operated



Swivel Base type

Model Types. & Dimensions

Specification	Model Type BR-LDMV-140 (NEW) ↓
Width of Jaw (E)	140mm
Depth of Jaws (B)	45 mm
Jaw Opening Range (A)	0-140mm
Work face Height (C)	55 mm
Height of Base without swivel Base (D)	103 mm
Length of Base (H)	495 mm
Width of base (E)	140 mm
Total Height of Base With Swivel Base	138 mm
Tenon slot size	14 mm
Clamping Slot Size	16 mm
P.C.D of Clamping Slot (G) X (F)	479mmX126mm
Swivel base Length x Width (a x b)	275 x 235 mm
Swivel Base Height (c)	35 mm
P.C.D for Swivel Base Clamping Slot (d)	243 mm
Weight without Swivel Base	35 kgs
Weight with Swivel Base	42 Kgs

Manufacturer:

Sales Office : # 19, TVS CROSS, PEENYA INDUSTRIAL ESTATE I STAGE, BANGALORE - 560 058, INDIA

MOB: +91 98452 08854, 094496 48171, 099726 37475, 08722472132

E-mail Id: brvices@rediffmail.com, brprecisions@gmail.com



Visit us at: www.brprecision.com, www.brsvices.com

Visit us at www.brsvices.com, www.brprecision.com

Warranty: One year conditional warranty on manufacturing defects