

B.R. PRECISION QUICK FIT MACHINE VICE (BOX VICE)



Model Type: BR QFT -160 - 200 (Box Type)

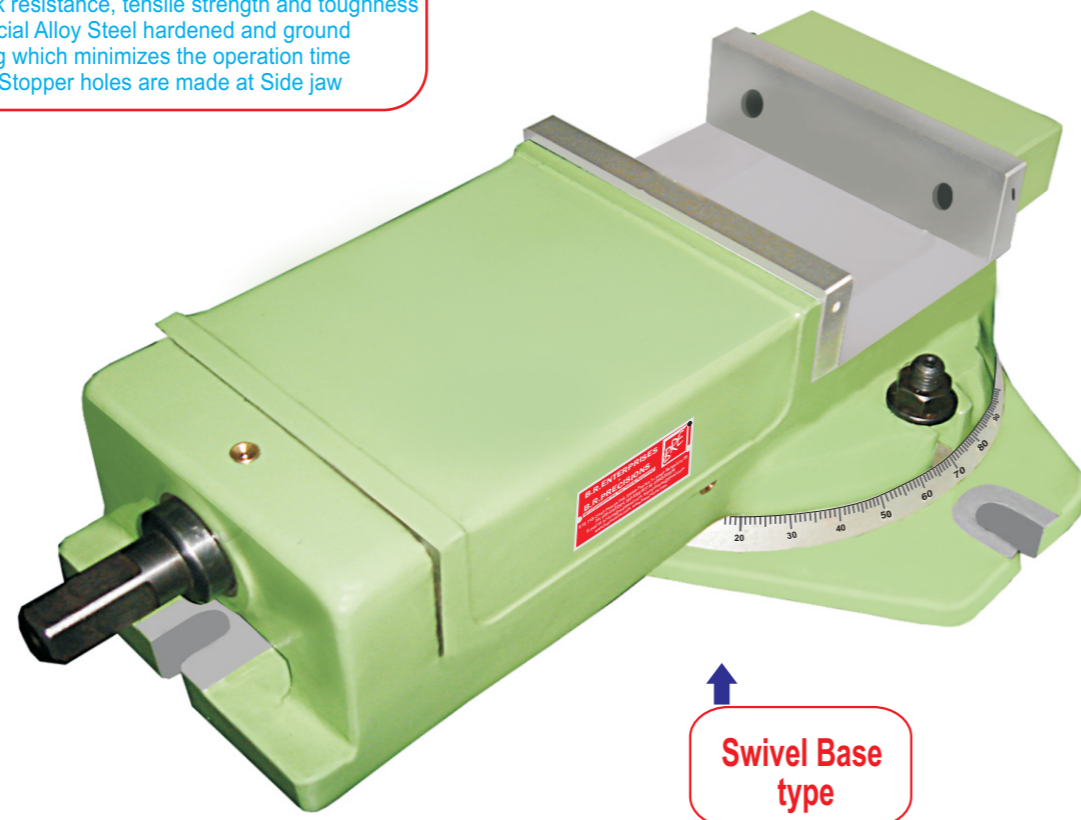
Descriptions & Operation

B.R. Quick Fit Machine Vice (Box) (Screw Operated)

- Designed for precision Tool Room and Production work
- High accuracy and Rigid assembly construction
- Movable Jaw ensures shock resistance, tensile strength and toughness
- Jaw plates made out of special Alloy Steel hardened and ground
- Quick and secured clamping which minimizes the operation time
- Tenons Slot will be ground, Stopper holes are made at Side jaw

Trouble free Performance

Operated In Mechanical Type



Swivel Base type

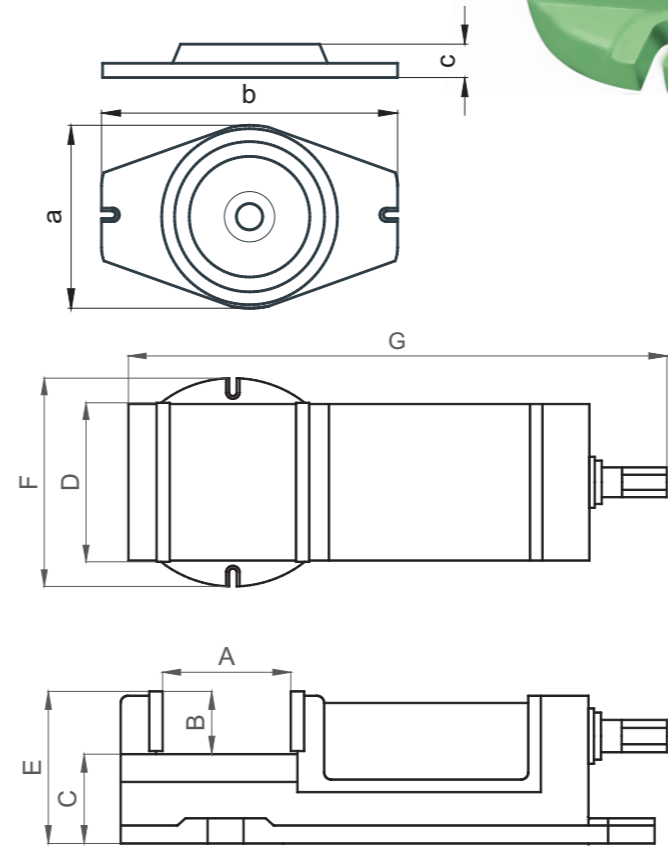
B.R. PRECISION QUICK FIT MACHINE VICES



(BOX VICE)



Plain type



Model Types. & Dimensions

Mechanically Operated

Specification	Model Type BR QFT-160	Model Type BR QFT-200
Width of Jaw (D)	160 mm	200 mm
Depth of Jaws (B)	55 mm	65 mm
Jaw Opening Range (A)	0-100 mm	0-125 mm
Work face Height (C)	55 mm	70 mm
Height of Base without swivel Base (E)	110 mm	135 mm
Length of Base (G)	458 mm	490 mm
Width of base (F)	245 mm	295 mm
Total Height of Base With Swivel Base	150 mm	178 mm
Tenon slot size	14 mm	14 mm
Clamping Slot Size	16 mm	16 mm
P.C.D of Clamping Slot	228 mm	278 mm
Swivel base Length x Width (b x a)	340 x 225 mm	390 x 315 mm
Weight without Swivel Base (App)	33 kgs	57 kgs
Weight with Swivel Base (App)	45 kgs	78 kgs

Manufacturer:

Sales Office : # 19, TVS CROSS, PEENYA INDUSTRIAL ESTATE I STAGE, BANGALORE - 560 058, INDIA

MOB: +91 98452 08854, 094496 48171, 099726 37475, 08722472132

E-mail Id: brvices@rediffmail.com, brprecisions@gmail.com



Visit us at: www.brprecision.com, www.brsvices.com

Visit us at www.brsvices.com, www.brprecision.com

Warranty: One year conditional warranty on manufacturing defects